

MILES DRAINAGE LIMITED



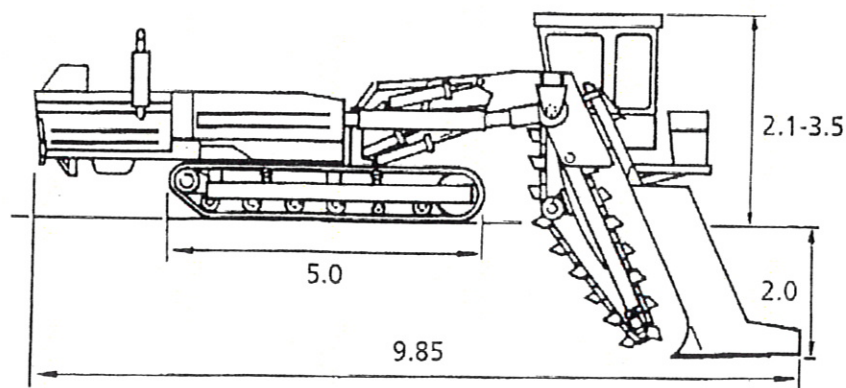
Great Ashfield, Bury St Edmunds, Suffolk, IP31 3HA.

Tel: 01359 259424 : Fax: 01359 258073

E-mail: trenchers@milesdrainage.co.uk : Web: www.milesdrainage.co.uk

MASTENBROEK FIELD TRENCHER

Trench Width Depth	125 – 450mm 2,000mm max
Machine Width Weight Horse Power	2.9m 13 – 18 Tonnes 200 - 300
Applications Information	Soil Spoil is placed both sides of trench for easy backfilling. Automatic laser control



VAT No. 496 7713 88
Reg. in England No. 2157227



UVDB verify
VERIFY YOUR BUSINESS TO THE UTILITIES SECTOR



Directors:
P. P. Robotham, E. A. Robotham
L.D.Dilloway, M.P.Garrard

LAND DRAINAGE (OPEN TRENCH & TRENCHLESS) : HIGHWAY & PIPELINE TRENCHING : TOPCUTTER & ROCKWHEEL HIRE
WATER SUPPLIES : MOLE DRAINING : DITCHING : LOW LOADER HIRE