

# MILES DRAINAGE LIMITED



Great Ashfield, Bury St Edmunds, Suffolk, IP31 3HA.

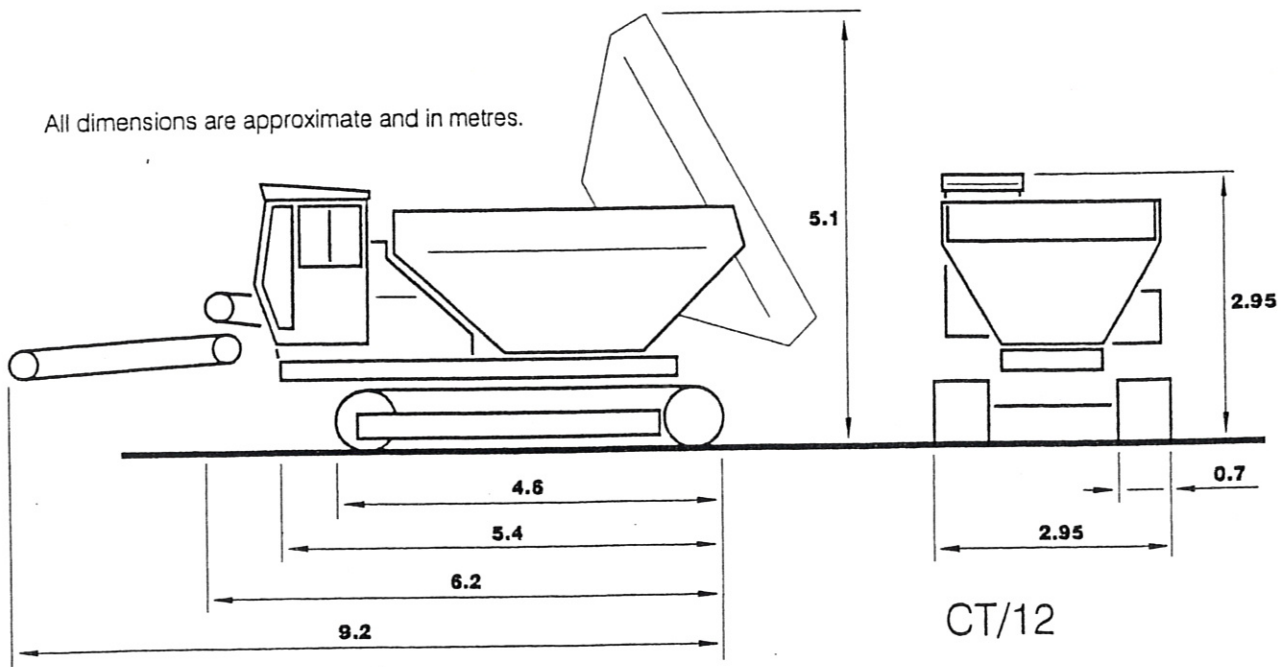
Tel: 01359 259424 : Fax: 01359 258073

E-mail: trenchers@milesdrainage.co.uk : Web: www.milesdrainage.co.uk

## MASTENBROEK CT12

Hopper Capacity	8 cu metres
Machine Length Width Height Weight	9.2m 2.95m 2.95m 16.75Tonnes
Side Discharge Forward Conveyor Rear camera	Yes Yes Yes

All dimensions are approximate and in metres.



CT/12

VAT No. 496 7713 88  
Reg. in England No. 2157227



Directors:  
P. P. Robotham, E. A. Robotham  
L.D.Dilloway, M.P.Garrard