

# MILES DRAINAGE LIMITED

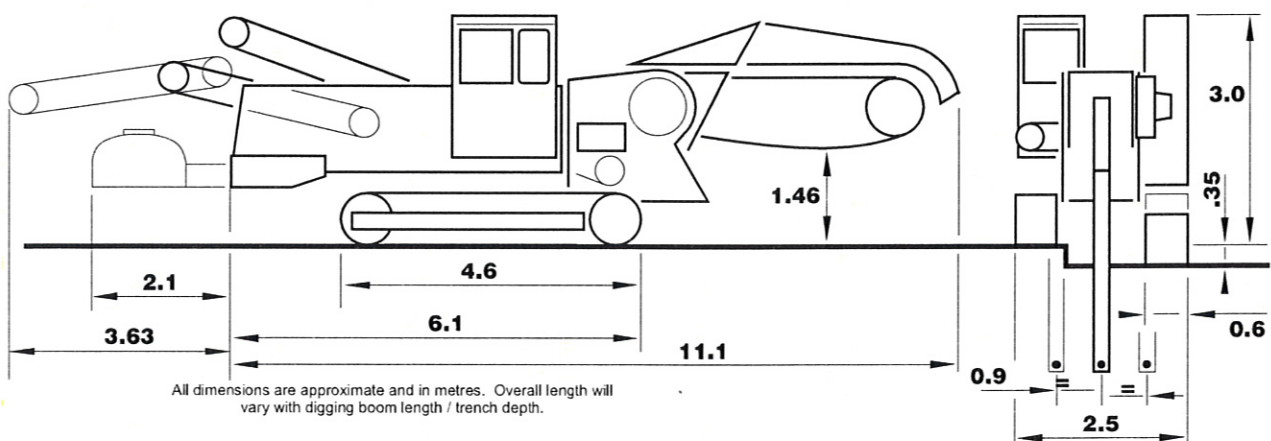
Great Ashfield, Bury St Edmunds, Suffolk, IP31 3HA.

Tel: 01359 259424 : Fax: 01359 258073

E-mail: trenchers@milesdrainage.co.uk : Web: www.milesdrainage.co.uk

## MASTENBROEK 20/18

Trench Width Depth	300, 400, 500 & 550mm 1700mm max
Machine Length Width Height Weight	10.5m 2.7m 3.0m 26 Tonnes
Applications	Soil, Rock & Highway
Forward Conveyor	Yes
Offset Digging	Yes



VAT No. 496 7713 88  
Reg. in England No. 2157227



Directors:  
P. P. Robotham, E. A. Robotham  
L.D.Dilloway, M.P.Garrard

LAND DRAINAGE (OPEN TRENCH & TRENCHLESS) : HIGHWAY & PIPELINE TRENCHING : TOPCUTTER & ROCKWHEEL HIRE  
WATER SUPPLIES : MOLE DRAINING : DITCHING : LOW LOADER HIRE