

# MILES DRAINAGE LIMITED

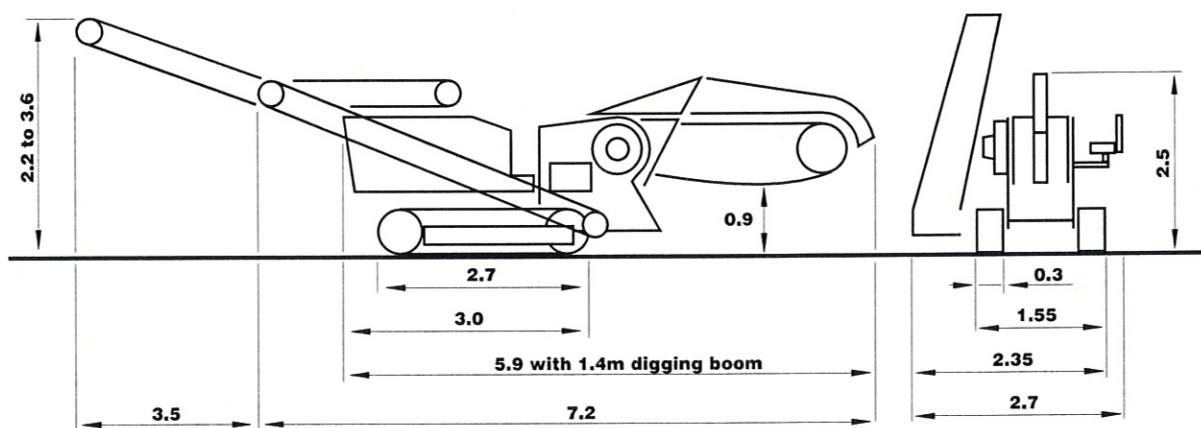
Great Ashfield, Bury St Edmunds, Suffolk, IP31 3HA.

Tel: 01359 259424 : Fax: 01359 258073

E-mail: trenchers@milesdrainage.co.uk : Web: www.milesdrainage.co.uk

## MASTENBROEK 10/12

Trench Width Depth	200, 230, 270, 290, 330 & 360mm 1200mm max
Machine Length Width Height Weight	8.5m 2.7m 2.7m 7.5 Tonnes
Applications Forward Conveyor	Soil, Rock & Highway Yes



All dimensions are approximate and in metres.

VAT No. 496 7713 88  
Reg. in England No. 2157227



Directors:  
P. P. Robotham, E. A. Robotham  
L.D.Dilloway, M.P.Garrard